



SHALLOW WELL PSW

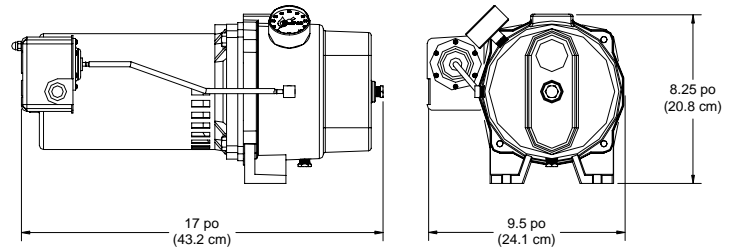
The PSW injection centrifugal shallow well pump is ideal for a house, a summer cottage or a country house.

The diffuser (Polycarbonate) and the impeller (Noryl) precisely molded, assure optimum efficiency. The self-lubricated mechanical seal is made of carbon and ceramic for a longer life span.

The pump housing and the seal plate are made of grey close-grained cast iron. These parts are specially treated with adapted paint to give a much better resistance to corrosion.



- Single-phase motor, **square flange**, 3450 RPM, 115/230 Volts, automatic thermal protection and "NUTRIDE" shaft
- Pressure switch set at 30 to 50 lbs/in²
- 0 - 100 PSI pressure gauge

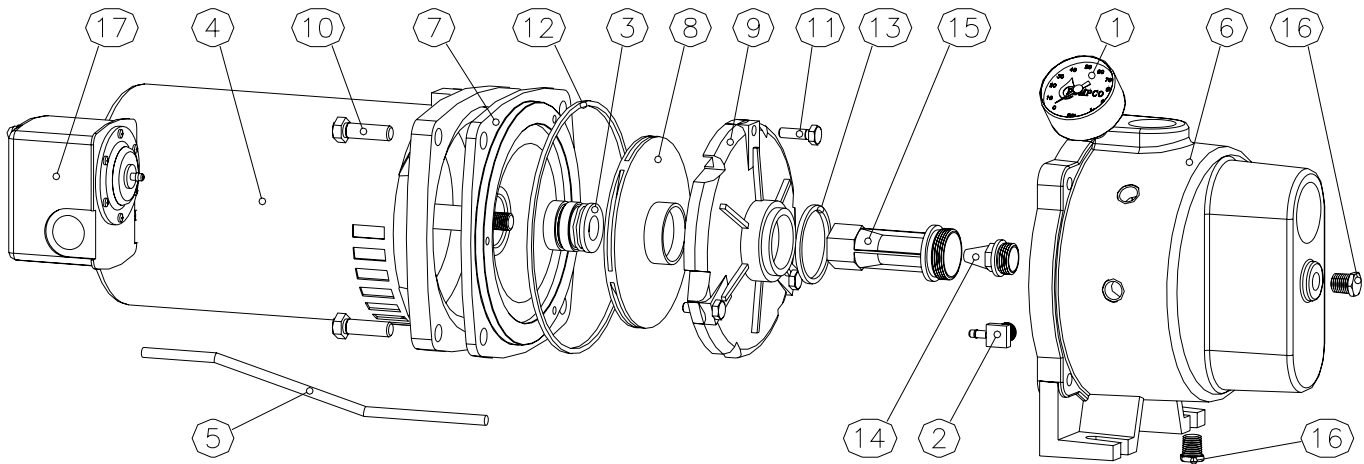


All pumps are tested at our factory

Part number	Model	Motor H.P.	Suction inch	Discharge inch	Shipping weight lbs	Suggested list price
320-1050	PSW-50	1/2	1 1/4"	1"	43	428.00
320-1075	PSW-75	3/4			43	461.00
320-1100	PSW-100	1.0			45	521.00

PERFORMANCE CHART

MODEL	MOTOR H.P.	VENTURI & NOZZLE	DISCH. PRESSURE P.S.I.	DEPTH OF WATER IN FEET					Shut-off PSI
				5	10	15	20	25	
				CAPACITY - U.S. GALLONS/HOUR					
PSW-50	1/2	287	20	800	710	610	510	410	73
			30	780	700	600	500	380	
			40	650	560	500	420	340	
			50	350	310	270	250	190	
			60	200	180	150	100	50	
PSW-75	3/4	307	20	890	760	700	560	450	71
			30	870	750	690	550	440	
			40	720	620	550	480	400	
			50	470	360	310	270	220	
			60	240	180	140	120	70	
PSW-100	1	347	20	1260	1025	880	790	620	71
			30	1240	1010	870	775	610	
			40	1125	960	860	770	580	
			50	760	630	580	490	400	
			60	425	320	220	180	140	



#	Part number	Description	MODELS			Suggested list price
			PSW-50	PSW-75	PSW-100	
1	023-0130	PG-1002-4B Pressure gauge	1	1	1	3.80
2	023-0570	Brass elbow VT229-4-4	1	1	1	3.90
3	124-0120	2000 model mechanical seal	1	1	1	8.20
4	151-2230	1/2 H.P. motor square flange (SF1.6)	1			254.60
4	151-2240	3/4 H.P. motor square flange (SF1.0)		1		269.50
4	151-2260	1.0 H.P. motor square flange (SF1.0)			1	311.80
5	242-0500	(13") MV-4040-1 polyethylene tubing	1	1	1	1.40
6	310-0012	PSW Pump body	1	1	1	121.00
7	310-0020	Mechanical seal plate	1	1	1	42.90
8	310-0040	1/2 H.P. impeller	1			38.80
8	310-0045	3/4 H.P. impeller		1		38.80
8	310-0050	1 H.P. impeller			1	38.80
9	310-0060	Diffuser	1	1	1	33.4
10	310-0120	3/8"-16 X 1 1/2" screw (plated)	4	4	4	1.40
11	310-0140	1/4"-20 X 7/8" screw (S/S)	3	3	3	1.60
12	310-0180	Square o'ring pump body	1	1	1	3.90
13	310-0205	O'ring diffuser	1	1	1	2.20
14	515-0141	17/64" Nozzle	1	1	1	8.70
15	515-0151	28/64" Venturi	1			17.30
15	515-0160	30/64" Venturi		1		16.70
15	515-0152	32/64" Venturi			1	16.70
16	522-3510	1/4" NPT brass plug	2	2	2	1.50
17	661-0124	FTG-10TU 30-50 pressure switch	1	1	1	34.90



CONVERTIBLE PJC

The PJC injection centrifugal pump with convertible ejector is built for either shallow well or deep well applications. It is ideal for a summer cottage or a country house.

The diffuser (Polycarbonate) and the impeller (Noryl) precisely molded, assure optimum efficiency. The self-lubricated mechanical seal is made of carbon and ceramic for a longer life span.

The pump housing and the seal plate are made of grey close-grained cast iron. These parts are specially treated with adapted paint to give a much better resistance to corrosion.



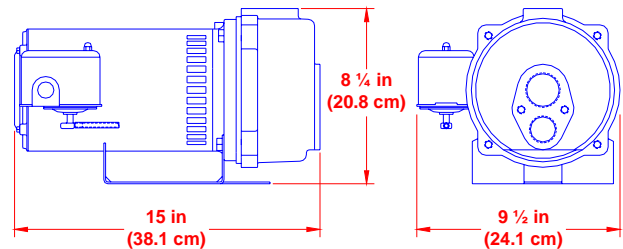
**Shallow well
ejector included
+ deep well
venturi**



CHARACTERISTICS

- Single-phase motor, **square flange**, 3450 RPM, 115/230 Volts, automatic thermal protection and "NUTRIDE" shaft
- Rubber seal gasket
- Pressure switch set at 30 to 50 lbs/in²
- 0 - 100 PSI pressure gauge
- Shallow well ejector included
- Deep well venturi included
- Convertible ejector for deep well application

All pumps are tested at our factory



Shallow well ejector included				Without ejector			
Order number	Pump model	Motor H.P.	Suggested list price	Order number	Pump model	Motor H.P.	Suggested list price
325-0050	PJC-50	1/2	449.00	325-0160	PJC-50	1/2	418.00
325-0075	PJC-75	3/4	479.00	325-0175	PJC-75	3/4	443.00
325-0100	PJC-100	1.0	546.00	325-0200	PJC-100	1.0	498.00

SHALLOW WELL EJECTOR KITS

(included: ejector body, venturi tube, nozzle, ejector gasket, bolts and washers)

Part number	Model	H.P.	Diameter		Suggested list price
			Venturi	Nozzle	
325-0250	PJC-7-50S	1/2	29/64	16/64	53.00
325-0275	PJC-7-75S	3/4	32/64	16/64	53.00
325-0300	PJC-7-100S	1	34/64	16/64	53.00



PERFORMANCE CHART - SHALLOW WELL APPLICATION

MODEL	MOTOR H.P.	VENTURI & NOZZLE	DISCH. PRESSURE P.S.I.	DEPTH OF WATER IN FEET					Shut-off PSI
				5	10	15	20	25	
				CAPACITY - U.S. GALLONS/HOUR					
PJC-50	1/2	296	20	910	810	690	565	410	62
			30	900	800	685	560	405	
			40	710	625	605	500	345	
			50	460	400	330	210	115	
PJC-75	3/4	326	20	1050	945	830	690	520	61
			30	1040	935	825	685	515	
			40	830	790	740	620	465	
			50	520	480	400	360	180	
PJC-100	1	346	20	1150	1035	900	750	560	67
			30	1140	1025	895	740	555	
			40	1130	1020	890	735	550	
			50	815	735	610	475	245	
			60	410	370	310	240	120	

PERFORMANCE CHART - DEEP WELL APPLICATION

MODEL	MOTOR H.P.	VENTURI & NOZZLE	DISCH. PRESSURE P.S.I.	DEPTH OF WATER IN FEET							
				30	40	50	60	70	80	90	100
				CAPACITY - U.S. GALLONS/HOUR							
PJC-50	1/2	245	20	580	510	450					
		235	20		380	320	270	220			
PJC-75	3/4	234	20	640	580	510	450				
		226	20		430	360	320	290	260		
PJC-100	1	234	20	760	710	630	510	390			
		226	20		470	440	420	380	260	220	150

DEEP WELL EJECTOR KITS

(included: ejector body, venturi tube and nozzle)



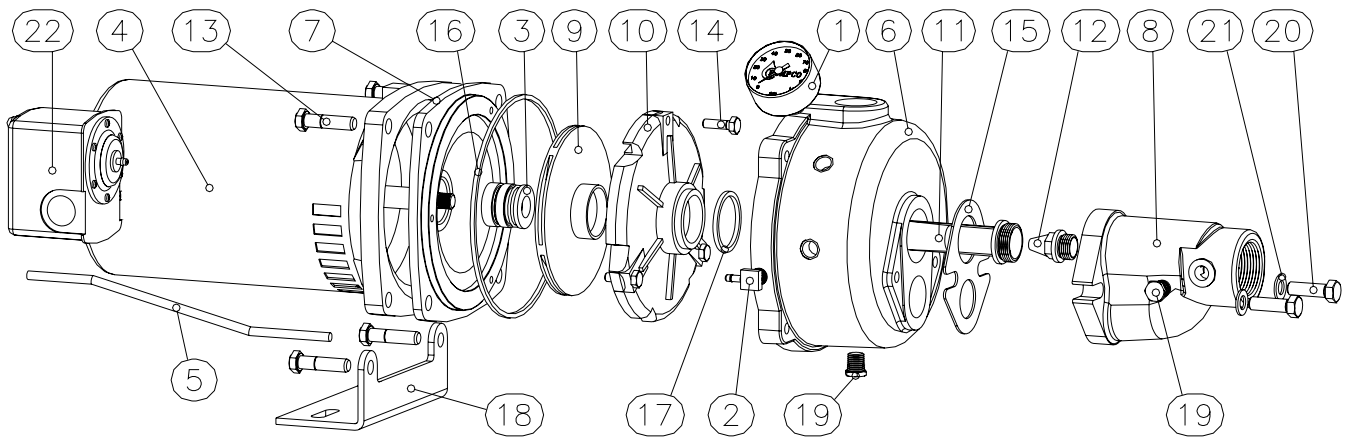
Part number	Model	Diameter		Suggested list price
		Venturi	Nozzle	
513-0200	AJ37 FP 235	23/64	15/64	60.00
513-0210	AJ37 FP 226	22/64	16/64	60.00
513-0230	AJ37 FP 245	24/64	15/64	60.00
513-0250	AJ37 FP 234	23/64	14/64	60.00

2" SINGLE PIPE JET PACKAGE

Part number	Model	Diameter		Setting range	Suggested list price
		Venturi	Nozzle		
513-0310	SP235	23/64	15/64	30-70'	110.00
513-0320	SP226	22/64	16/64	40-80'	110.00
513-0330	SP225	22/64	15/64	50-100'	110.00

2" CASING ADAPTER

Part number	Model	Suggested list price
513-0300	2" casing adapter	85.00



#	Part number	Description	MODELS			Suggested list price
			PJC-50	PJC-75	PJC-100	
1	023-0130	PG-1002-4B Pressure gauge	1	1	1	3.80
2	023-0570	Brass elbow VT229-4-4	1	1	1	3.90
3	124-0120	2000 model mechanical seal	1	1	1	8.20
4	151-2230	1/2 H.P. motor square flange (SF1.6)	1			254.60
4	151-2240	3/4 H.P. motor square flange (SF1.0)		1		269.50
4	151-2260	1.0 H.P. motor square flange (SF1.0)			1	311.80
5	242-0500	(13") MV-4040-1 polyethylene tubing	1	1	1	1.40
6	310-0010	PJC Pump body	1	1	1	89.00
7	310-0020	Mechanical seal plate	1	1	1	42.900
8	310-0030	Ejector body Shallow / deep well	1	1	1	48.40
9	310-0040	1/2 H.P. impeller	1			38.80
9	310-0045	3/4 H.P. impeller		1		38.80
9	310-0050	1 H.P. impeller			1	38.80
10	310-0060	Diffuser	1	1	1	33.40
11	310-0070	29/64" Short venturi tube	1			9.30
11	310-0080	32/64" Short venturi tube		1		9.20
11	310-0085	34/64" Short venturi tube			1	9.20
11	310-0090	22/64" Short venturi tube		1	1	12.70
11	310-0092	23/64" Short venturi tube	1			12.80
11	310-0094	24/64" Short venturi tube	1			12.80
12	310-0110	14/64" Nozzle		1	1	9.80
12	310-0105	15/64" Nozzle	1			9.80
12	310-0100	16/64" Nozzle	1	1	1	9.80
13	310-0120	3/8"-16 X 1 1/2" screw (plated)	4	4	4	1.40
14	310-0140	1/4"-20 X 7/8" screw (S/S)	3	3	3	1.60
15	310-0160	Ejector gasket	1	1	1	2.60
16	310-0180	Square o'ring pump body	1	1	1	3.90
17	310-0200	O'ring diffuser	1	1	1	1.20
18	310-0230	Pump base	1	1	1	17.60
19	522-3510	1/4" NPT brass plug	2	2	2	1.50
20	522-4215	3/8"-16 x 1 1/4" Bolt (plated)	2	2	2	0.60
21	522-5313	5/16" washer (plated)	2	2	2	0.20
22	661-0124	FTG-10TU 30-50 pressure switch	1	1	1	34.9



The MJ injection centrifugal pumps are exceptionally reliable and efficient. Specially designed for domestic purposes, it can also be used to pump water from wells, streams, ponds and many other water sources.

Molded in Noryl, the high-precision impeller assures the MJ model an optimum efficiency. To eliminate all vibrations, the impeller is screwed to the shaft of the motor.

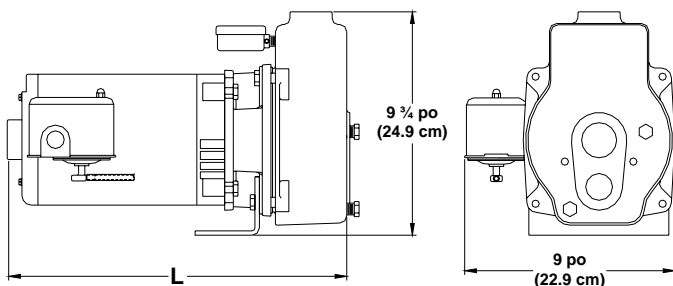
Its stainless steel disc helps distinguish this pump from any other. In fact, this innovation facilitates maintenance and minimises corrosion.

The housing and the motor bracket are made of grey cast iron and are machined with such precision that it maximizes considerably the performance. These parts are then treated with 2 layers of paint that give superior resistance to corrosion.

- Single-phase motor, "J-face" flange, 3450 RPM, 60 hz, 115/230 Volts, automatic thermal protection and stainless steel shaft.
- Internal disc for easy maintenance
- Pressure switch 30/50 lbs/in²
- Pressure gauge 0 - 100 P.S.I.
- Ejector not included.

All pumps are tested at our factory

Other voltages and TEFC motors also available



Part number	Model	Motor H.P.	Suction inch	Discharge inch	Shipping weight lbs	Suggested list price	Prix détail suggéré
513-0020	MJ-50	1/2	1 1/4"	1"	14.50	46	523.00
513-0030	MJ-75	3/4			14.75	50	575.00
513-0040	MJ-100	1.0			15.00	52	635.00



PERFORMANCE CHART SHALLOW WELL APPLICATION

MODEL	MOTOR H.P.	VENTURI & NOZZLE	DISCH. PRESSURE P.S.I.	DEPTH OF WATER IN FEET					Shut-off PSI
				5	10	15	20	25	

REGULAR PRESSURE

CAPACITY - U.S. GALLONS/HOUR									
MJ-50	1/2	326	20	1040	920	790	560	430	60
			30	1010	890	780	550	420	
			40	800	750	690	510	380	
MJ-75	3/4	366	20	1350	1185	1070	800	570	62
			30	1340	1165	1060	795	565	
			40	1000	940	880	740	480	
MJ-100	1	386	20	1430	1225	1150	875	650	63
			30	1430	1215	1130	870	650	
			40	1260	990	940	780	595	

HIGH PRESSURE

MJ-50	1/2	287	30	780	710	612	510	410	75
			40	590	530	460	380	315	
			50	370	340	300	250	205	
			60	185	170	150	125	100	
MJ-75	3/4	327	30	1080	975	845	700	565	72
			40	990	895	775	640	520	
			50	670	605	525	440	360	
			60	380	345	300	250	210	
MJ-100	1	347	30	1160	1050	910	750	610	74
			40	1150	1040	900	740	600	
			50	840	760	660	550	450	
			60	490	450	390	325	270	

SHALLOW WELL EJECTOR KITS

(included: ejector body, venturi tube, nozzle, ejector gasket, bolts and washers)

REGULAR PRESSURE

Part number	Model	H.P.	Diameter		Suggested list price
			Venturi	Nozzle	
513-0160	OJ-7-50S	1/2	32/64	16/64	58.00
513-0170	OJ-7-75S	3/4	36/64	16/64	58.00
513-0180	OJ-7-100S	1	38/64	16/64	58.00

HIGH PRESSURE

Part number	Model	H.P.	Diameter		Suggested list price
			Venturi	Nozzle	
513-0165	OJ-7-50H	1/2	28/64	17/64	58.00
513-0175	OJ-7-75H	3/4	32/64	17/64	58.00
513-0185	OJ-7-100H	1	34/64	17/64	58.00



PERFORMANCE CHART DEEP WELL APPLICATION

MODEL	MOTOR H.P.	VENTURI & NOZZLE	DISCH. PRESSURE P.S.I.	DEPTH OF WATER IN FEET											
				20	30	40	50	60	70	80	90	100	110	120	
CAPACITY - U.S. GALLONS / HOUR															
MJ-50	1/2	245	20	670	650	580	500	400	280						
			30	610	530	450	380	300	200						
			40	430	360	290	210	140	70						
			50	240	180	130	80	20							
		235	20			500	430	360	290	220					
			30			390	330	280	220	170					
			40			240	200	160	120	80					
			50			140	105	70	30						
		225	20				310	300	280	210	160	100			
			30				310	280	230	180	120	80			
			40				220	180	140	100	50	20			
			50				110	85	60	30					
MJ-75	3/4	234	20	910	810	690	570	460	340						
			30	770	640	580	490	400	300						
			40	600	510	420	340	230	150						
			50	380	310	230	170	70							
		226	20			470	450	430	360	260	215	150			
			30			470	440	410	350	260	215	140			
			40			420	360	300	250	170	130	60			
			50			290	250	200	170	90	50				
		225	20					310	280	240	200	160	110	80	
			30					260	250	210	180	160	110	80	
			40					240	200	170	140	100	60	30	
			50					140	110	80	70	30	10		
MJ-100	1	234	20	910	910	770	630	480	360	230					
			30	910	780	670	540	430	320	210					
			40	700	600	500	380	300	200	110					
			50	480	390	310	210	130	50						
		226	20			470	470	450	380	280	230	160	100		
			30			470	470	420	370	270	220	150	100		
			40			430	380	320	270	200	150	90	50		
			50			310	260	210	180	110	60	10			
		225	20					310	290	250	210	170	120	90	
			30					310	280	240	190	170	120	90	
			40					265	230	190	150	110	70	40	
			50					160	130	100	75	40	15		

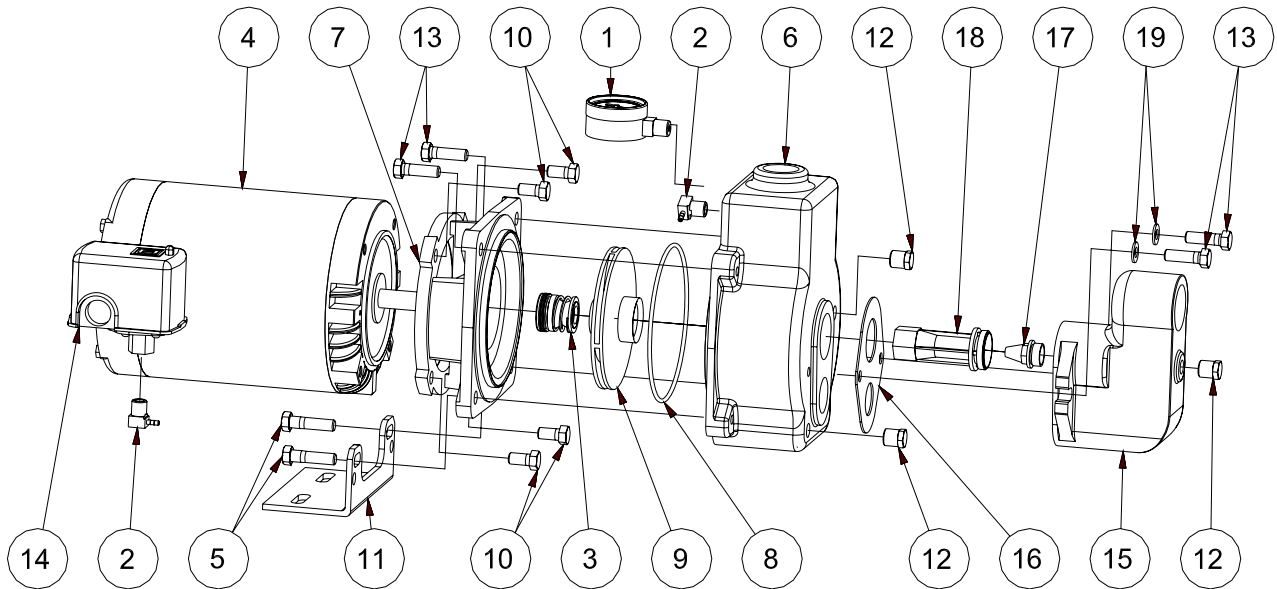
To convert **feet** into **meters**: multiply by 0.3048
 To convert **U.S. gallons** into **liters**: multiply by 3.785

DEEP WELL EJECTOR KITS

(included: ejector body, venturi tube and nozzle)



Part number	Model	Diameter		Suggested list price
		Venturi	Nozzle	
513-0190	AJ37 FP 225	22/64	15/64	60.00
513-0200	AJ37 FP 235	23/64	15/64	60.00
513-0210	AJ37 FP 226	22/64	16/64	60.00
513-0230	AJ37 FP 245	24/64	15/64	60.00
513-0250	AJ37 FP 234	23/64	14/64	60.00



#	Part number	Description	MODELS			Suggested list price
			MJ-50	MJ-75	MJ-100	
1	023-0100	PG-1002-4L pressure gauge	1	1	1	3.80
2	023-0570	Brass elbow VT-229-4-4	2	2	2	3.90
3	124-0120	2000 model mechanical seal	1	1	1	8.20
4	151-1210	1/2 H.P. motor « J-face » flange 115/230 Volts	1			276.60
4	151-1230	3/4 H.P. motor « J-face » flange 115/230 Volts		1		312.00
4	151-1250	1.0 H.P. motor « J-face » flange 115/230 Volts			1	349.20
	242-0500	MV-4040-1 polyethylene tubing	1	1	1	1.40
5	310-0120	3/8"-16 x 1 1/2" hexagonal bolt (plated)	2	2	2	1.40
6	511-0050	Pump body - assembly (MJ)	1	1	1	170.00
7	515-0015	Motor bracket (MJ)	1	1	1	67.00
8	515-0020	5 1/2 x 5 1/4 x 1/8 o'ring	1	1	1	3.50
9	515-0042	MJ/MS-50 4.720" impeller	1			49.00
9	515-0044	MJ/MS-75 5.000" impeller		1		49.00
9	515-0046	MJ/MS-100 5.200" impeller			1	49.00
	515-0051	S/S disk	1	1	1	20.00
10	515-0065	3/8"-16 x 3/4" hexagonal bolt (plated)	4	4	4	0.70
11	310-0230	Pump base	1	1	1	17.60
12	522-3510	1/4" N.P.T. brass plug	2	2	2	1.50
13	522-4215	3/8"-16 x 1 1/4" hexagonal bolt (plated)	2	2	2	0.60
14	661-0100	FSG-2 / 30-50 pressure switch	1	1	1	27.50
		Shallow well ejector	List price	Deep well ejector		List price
15	515-0109	Shallow well ejector body	68.00	310-0030	Deep well ejector body	48.40
16	515-0120	Shallow well ejector gasket	2.50			
17	515-0140	16/64" Nozzle	8.80	310-0110	14/64" Nozzle	9.80
17	515-0141	17/64" Nozzle	8.70	310-0105	15/64" Nozzle	9.80
18	515-0151	28/64" Short venturi tube	17.30	310-0100	16/64" Nozzle	9.80
18	515-0152	32/64" Short venturi tube	16.70	310-0090	22/64" Long venturi tube	12.70
18	515-0153	34/64" Short venturi tube	16.70	310-0092	23/64" Long venturi tube	12.80
18	515-0154	36/64" Short venturi tube	16.70	310-0094	24/64" Long venturi tube	12.80
18	515-0156	38/64" Short venturi tube	16.70			
19	522-5313	5/16" washer (plated)	0.20			



CENTRIFUGAL OC / OCB



The OC/OCB centrifugal pumps allow for optimum efficiency and economy, a good production capacity even when the flow is at a low or medium level. Used for applications such as lawn sprinklers, oversupplying systems, irrigation or for filling tanks.

CHARACTERISTICS

Motor on OC / OCB models: Single-phase, "**J-face**" flange, 3450 RPM, 60 Hz, 115/230 Volts, c/w automatic thermal protection and stainless steel shaft.

Impeller on OC models: Made of Polycarbonate molded with great precision for maximum efficiency.

Impeller on OCB models: Made of bronze, for pumping liquid at high temperature such as in boiler systems.

****Both types of impellers are highly resistant to corrosion and wear****

Mechanical seal on OC models: Seal **model #2000** assures continuous lubrication.

Mechanical seal on OCB models: Seal **model #2000V (VITON)** assures continuous lubrication even at temperatures up to 225°F (107°C)

Discharge: 1 ¼" NPT

Suction: 1 ¼" NPT

OC / OCB MODELS

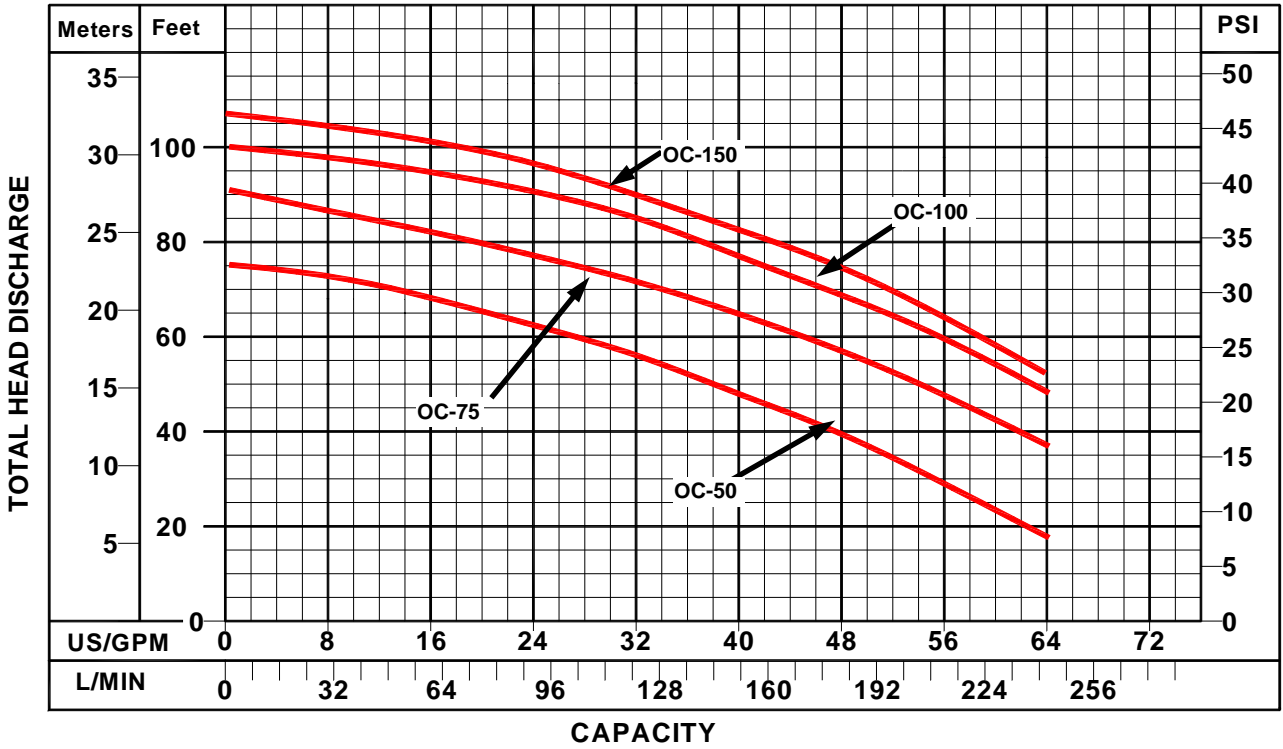
Part number	Model	Motor HP	Shipping weight lbs	Suggested list price
516-0060	OC-50	1/2	33	463.00
516-0080	OCB-50		35	672.00
516-0100	OC-75	3/4	34	498.00
516-0120	OCB-75		36	714.00
516-0140	OC-100	1.0	37	536.00
516-0160	OCB-100		39	747.00
516-0180	OC-150	1.5	43	587.00
516-0200	OCB-150		45	826.00
516-0220	OC	without motor		172.90
516-0240	OCB			390.50



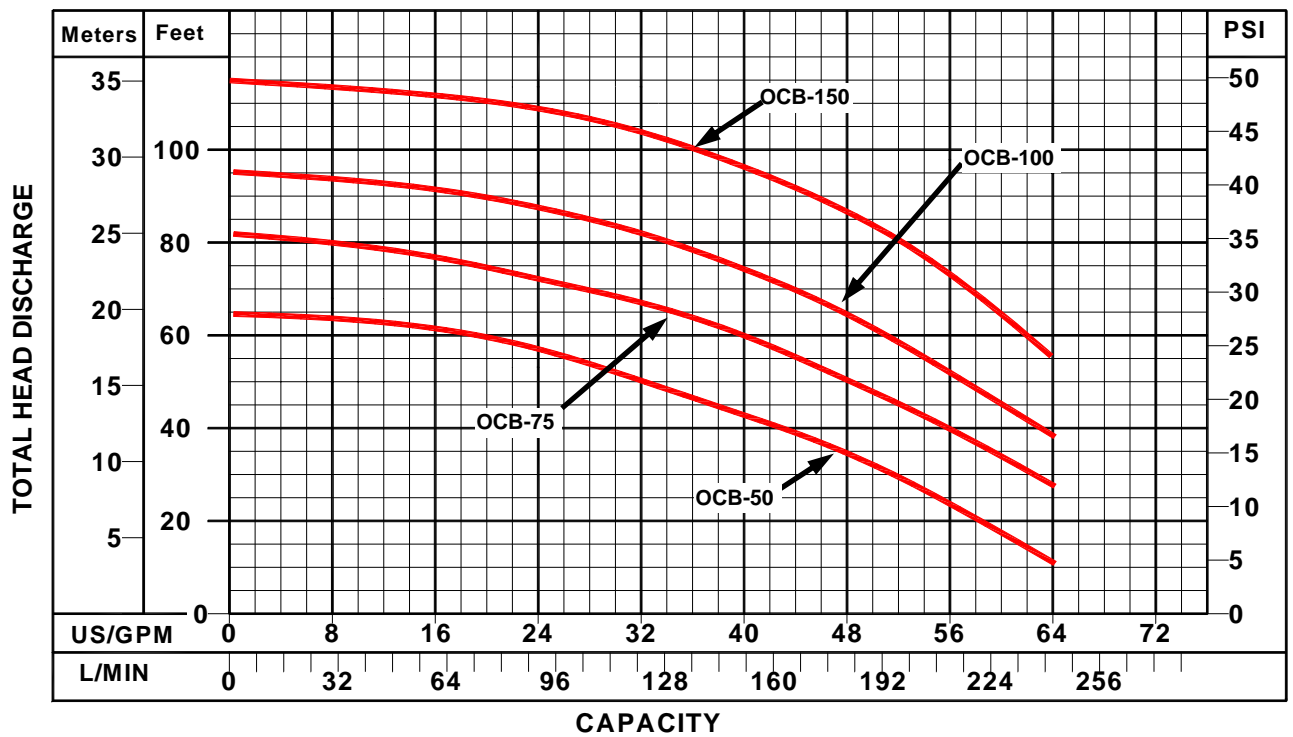
PUMPING CURVES

OC / OCB

OC MODEL



OCB MODEL





STAINLESS STEEL CENTRIFUGAL SSPC



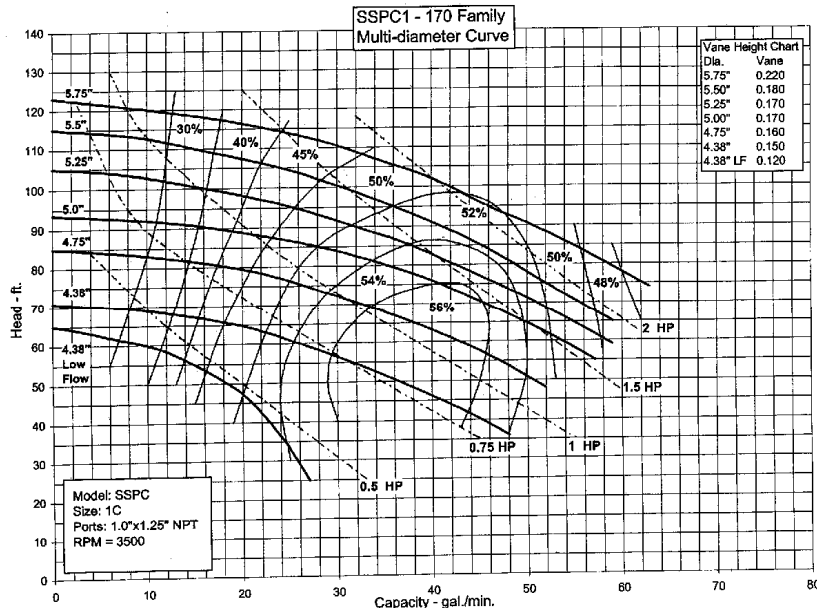
Efficiency: The SSPC pump is one of the most efficient pump on the market. This is due to the smooth surface finish provided by a stainless steel sheet, and PompcO's computerized designed impeller and casing.

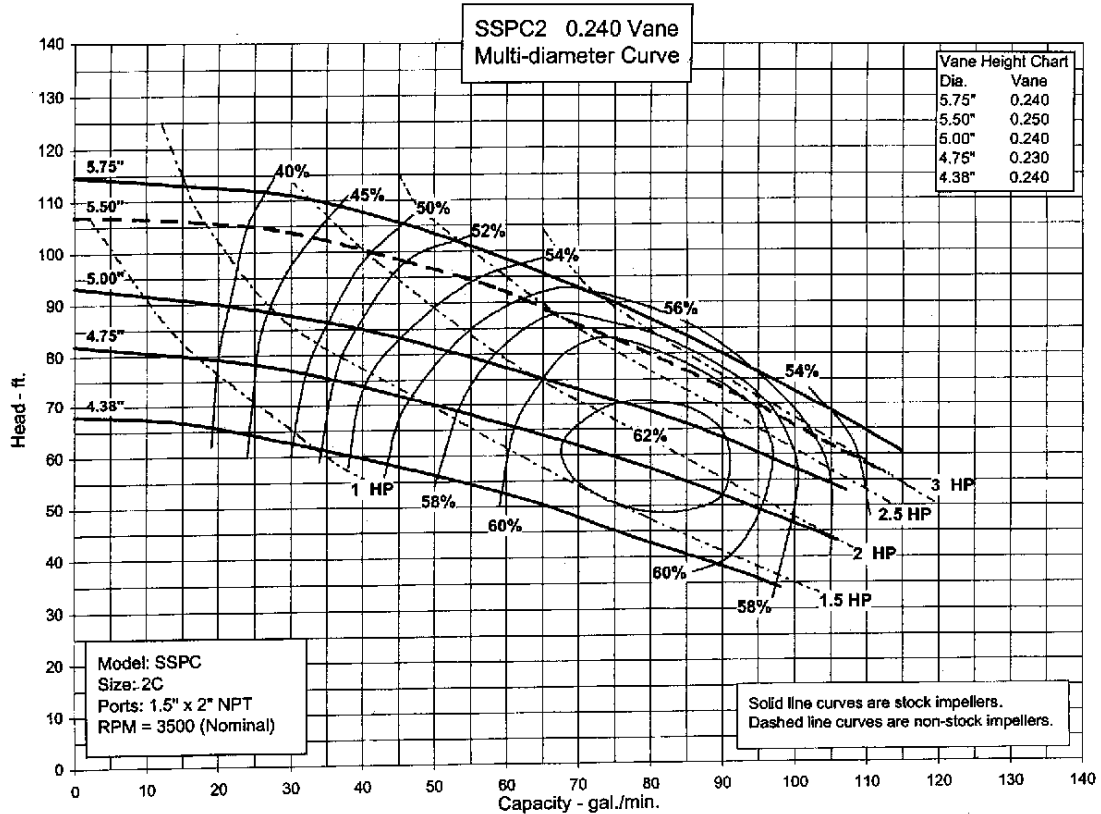
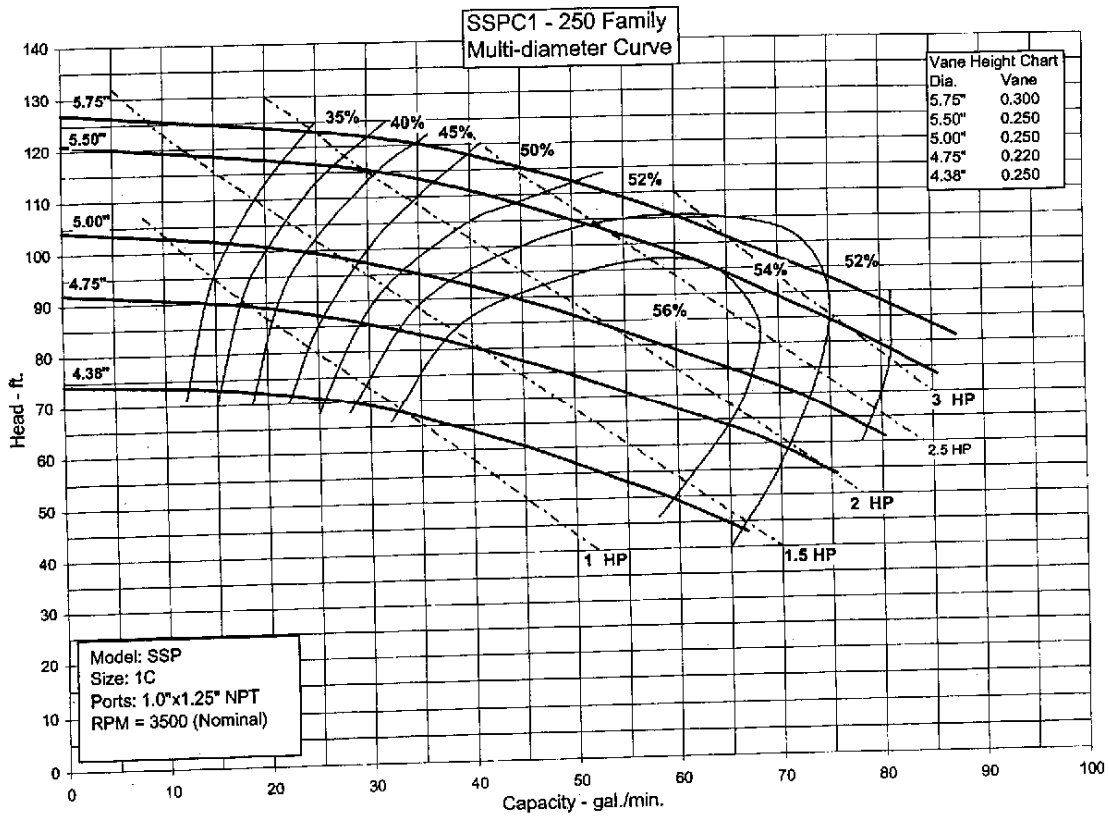
Versatility: The SSPC pump was designed to provide optimal performance in a variety of applications. Specially designed to be easily modified or customized

Durability: The stainless steel body and impeller assure a longer life span.

Part number	Model	Impeller diameter	Motor HP	Suggested list price
170 FAMILY				
516-2030	SSPC-156225	5.75"	2.0	1 347.00
516-2055	SSPC-154185	5.50"	2.0	1 347.00
516-2080	SSPC-152175	5.25"	1.5	1 216.00
516-2105	SSPC-150175	5.00"	1.5	1 216.00
516-2130	SSPC-146165	4.75"	1.0	1 126.00
516-2160	SSPC-143155	4.38"	3/4	1 106.00
516-2195	SSPC-143115	4.38" LF	1/2	1 088.00
250 FAMILY				
516-2210	SSPC-154255	5.50"	3.0	1 723.00
516-2230	SSPC-150255	5.00"	2.0	1 347.00
516-2260	SSPC-143255	4.38"	1.5	1 216.00

Part number	Model	Impeller diameter	Motor HP	Suggested list price
0.24 Vane				
516-2310	SSPC-256245	5.75"	3.0	1 797.00
516-2360	SSPC-250245	5.00"	2.0	1 421.00
516-2385	SSPC-246235	4.75"	2.0	1 421.00
516-2405	SSPC-243245	4.38"	1.5	1 287.00
350 Vane				
516-2480	SSPC-250325	5.00"	3.0	1 797.00
516-2510	SSPC-246335	4.75"	3.0	1 797.00

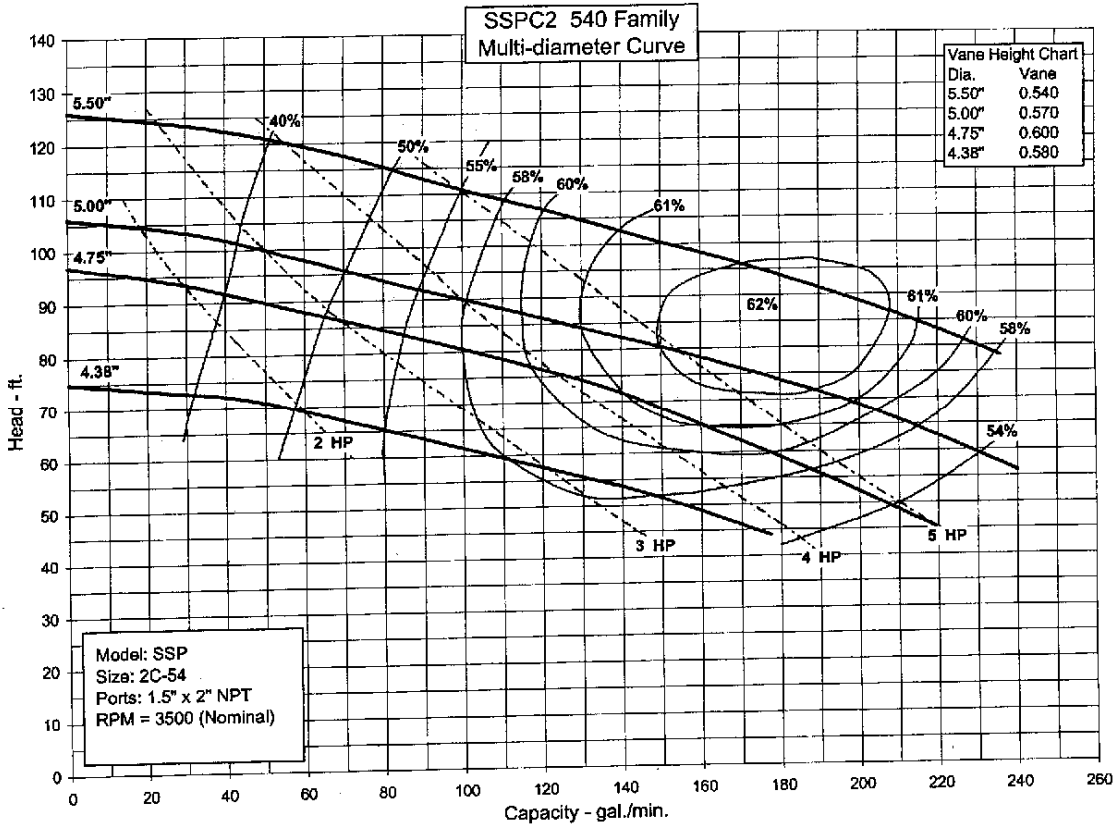
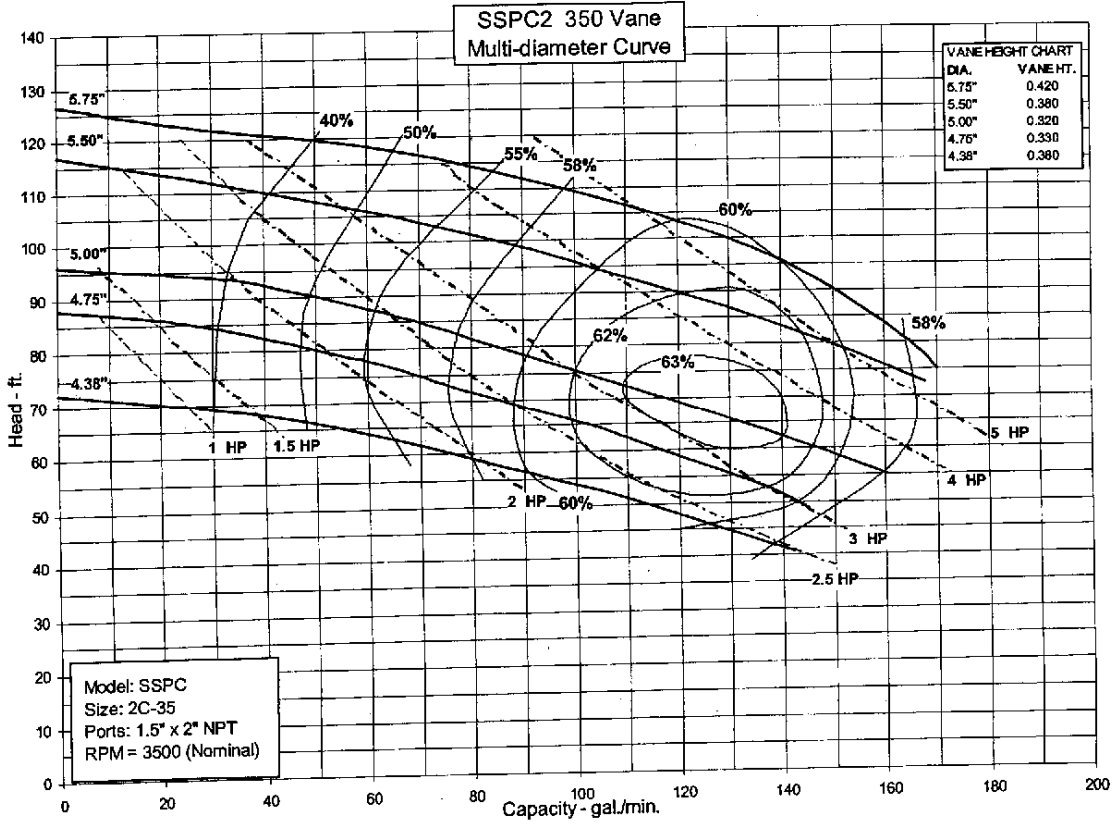






PUMPING CURVES

SSPC





SELF PRIMING CENTRIFUGAL PLSH

Ideal for lawn sprinkling systems, irrigation and other areas where high capacity self-priming pumps are required.

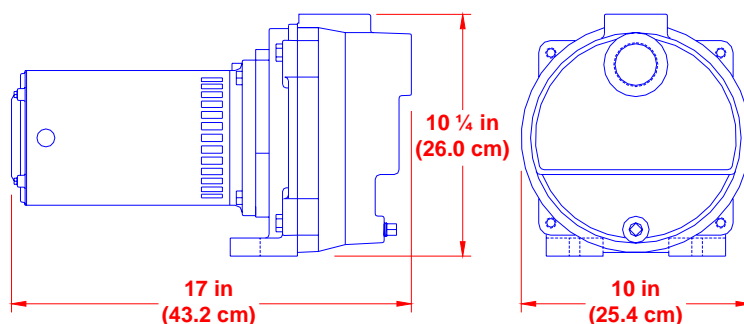
FEATURES

- On site maintenance possible due to easy access to internal parts.
- Maximum water volume in pump housing assures easy and fast priming.
- Unique design of housing and polycarbonate fiber impeller helps provide high heads.
- Hard to unprime even with air in water.
- Long life assured by non-corrosive paint and strong construction.



CHARACTERISTICS

- Single phase motor, **square flange**, 60 Hz, 115/230 Volts, capacitor starting, automatic thermal protection
- Priming up to 25 feet (7.62 m)



All pumps are tested at our factory

Part number	Model	Motor HP	Suction inch	Discharge inch	Shipping weight lbs	Suggested list price
335-2100	PLS-100	1	1 ½"	1 ½"	63	508.20
335-2150	PLS-150	1.5	1 ½"	1 ½"	65	588.00
335-0150	PLSH-150	1.5	1 ½"	1 ½"	70	665.90
335-0200	PLSH-200	2.0	1 ½"	1 ½"	75	779.30

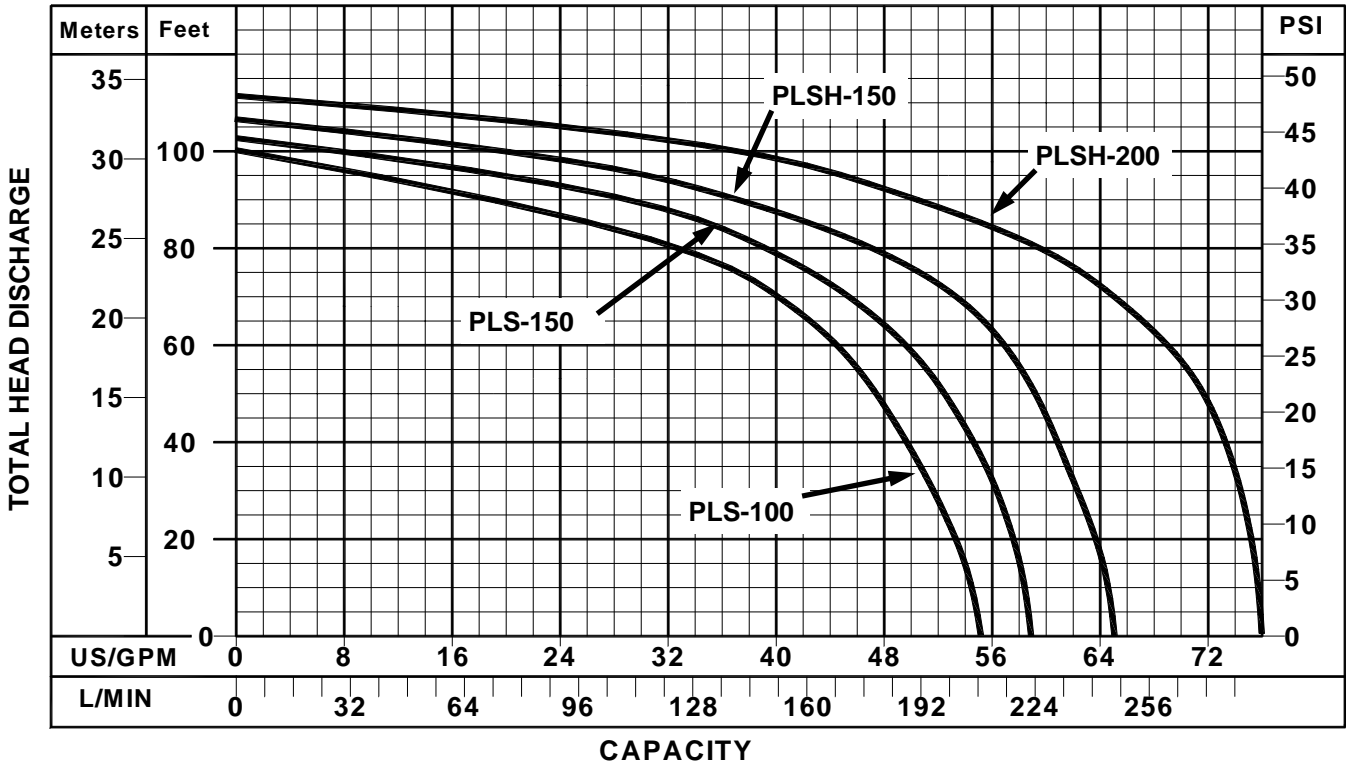


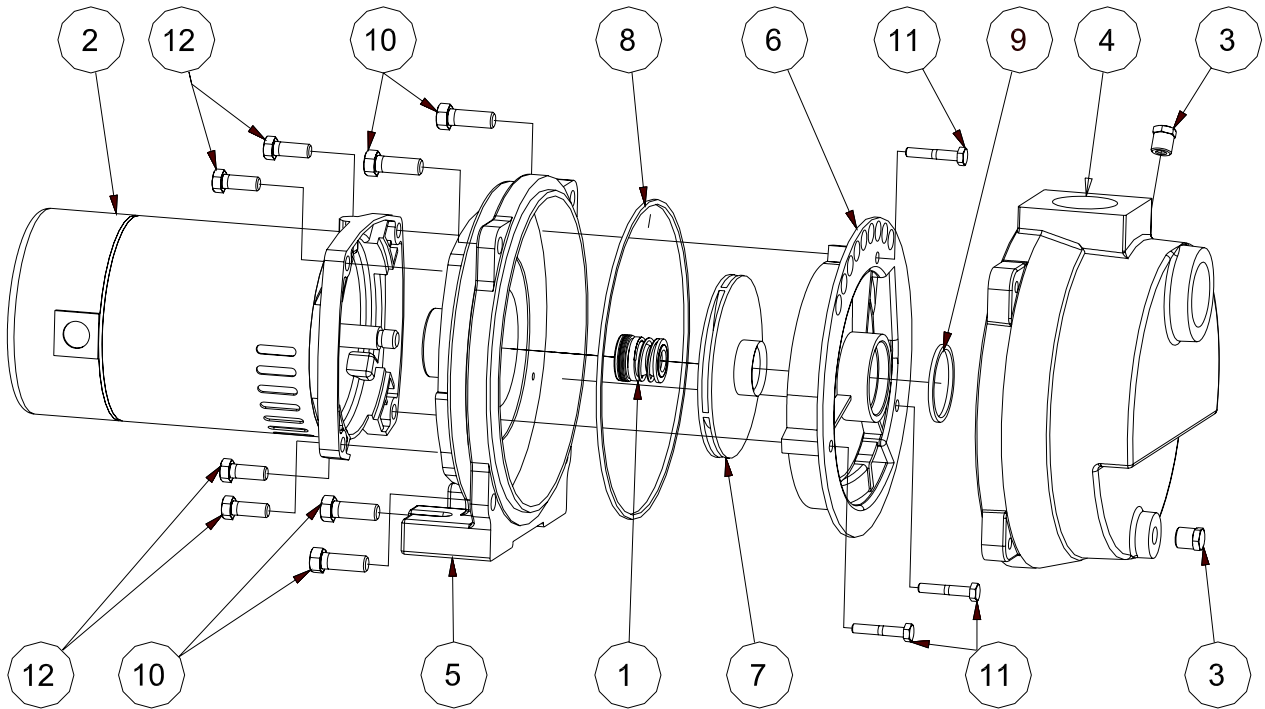
PUMPING CURVES

PLSH

Model	Motor H.P.	Discharge pressure P.S.I.	Pumping depth in feet				
			5	10	15	20	25
			Capacity - U.S. Gallons per Minute				
PLS-100	1	10	52	49	45	41	35
		20	46	44	40	36	30
		30	39	35	30	25	19
PLS-150	1.5	10	56	52	49	45	37
		20	52	48	45	40	32
		30	45	40	37	30	22
		40	20	14			
PLSH-150	1.5	10	63	59	55	50	39
		20	58	55	51	46	35
		30	53	50	45	40	26
		40	32	26	13		
PLSH-200	2.0	10	74	70	66	59	47
		20	71	68	62	56	44
		30	64	61	56	51	39
		40	44	38	26		

Model	PLS-100	PLS-150	PLSH-150	PLSH-200
Shut off P.S.I.	43	44	46	48





#	Part number	Description	MODELS				Suggested list price
			PLS-100	PLS-150	PLSH-150	PLSH-200	
1	124-0120	2000 model mechanical seal	1	1	1	1	8.20
2	151-2180	1.0 H.P. motor square flange (SF1.0)	1				366.00
2	151-2170	1.5 H.P. motor square flange (SF1.0)		1			400.00
2	151-2265	1.5 H.P. motor square flange (SF1.47)			1		402.00
2	151-2270	2.0 H.P. motor square flange (SF1.3)				1	461.30
3	522-3510	¼ NPT plug (plated)	1	1	1	1	1.50
4	330-0010	Pump body	1	1	1	1	142.70
5	330-0020	Mechanical seal plate	1	1	1	1	144.8
6	330-0030	Diffuser	1	1	1	1	41.70
7	330-0035	2.0 H.P. impeller				1	75.30
7	330-0040	1.5 H.P. impeller			1		60.50
7	330-0055	1.5 H.P. impeller		1			60.50
7	330-0050	1.0 H.P. Impeller	1				60.50
8	330-0060	Square o'ring pump body	1	1	1	1	7.80
9	330-0070	Round o'ring diffuser	1	1	1	1	4.40
10	330-0080	7/16"-14 x 1-1/4" screw (plated)	4	4	4	4	1.20
11	330-0090	1/4"-20 x 1-1/2" screw (S/S)	3	3	3	3	1.50
12	519-0150	3/8"-16 x 1" hexagonal bolt (plated)	4	4	4	4	1.00

Centrifugal pump motors: « J-face » flange



"J-face" flange

Part number	H.P.	kW	Volts	Type of pump	Shaft	Suggested price list
151-1210	1/2	0.38	115 / 230	MJ / OC / WGS	S/S	276.60
151-1230	3/4	0.56	115 / 230	MJ / OC / WGS	S/S	312.00
151-1250	1	0.75	115 / 230	MJ / OC / WGS	S/S	349.20
151-1260	1 ½	1.1	115 / 230	OC / WGS	S/S	407.50
151-1280	2	1.5	115 / 230	WGS	S/S	470.00
151-1300	3	2.2	230	WGS	S/S	732.10
151-1510	3/4	0.56	115 / 230	TEFC	S/S	396.20
151-1520	1	0.75	115 / 230	TEFC	S/S	457.20
151-1530	1 ½	1.1	115 / 230	TEFC	S/S	514.80
151-1540	2	1.5	230	TEFC	S/S	586.70
151-1570	3/4	0.56	575	OPD	S/S	366.90
151-1580	1	0.75	575	OPD	S/S	412.50
151-1590	1 ½	1.1	575	OPD	S/S	513.40
151-1600	2	1.5	575	OPD	S/S	586.70
151-1610	3	2.2	575	OPD	S/S	660.00

Centrifugal pump motors: square flange



Square flange

151-2120	1/2	0.38	115 / 230	PJC / PSW	S/S	279.40
151-2150	3/4	0.56	115 / 230	PJC / PSW	S/S	361.20
151-2180	1	0.75	115 / 230	PJC / PSW / PLS	S/S	366.00
151-2230	1/2	0.38	115 / 230	PJC / PSW	Nutride	254.60
151-2240	3/4	0.56	115 / 230	PJC / PSW	Nutride	269.50
151-2260	1	0.75	115 / 230	PJC / PSW / PLS	Nutride	311.80
151-2265	1 ½	1.1	115 / 230	PLSH	S/S	402.00
151-2270	2	1.5	115 / 230	PLSH	S/S	461.30

Piston pump motors



Piston pump

522-3000	1/3	0.25	115	S-275 / S-450	S/S	285.00
522-3001	1/2	0.38	115 / 230	S-600	S/S	448.10
522-3003	3/4	0.56	115 / 230	-	S/S	467.50
522-3004	1	0.75	230	-	S/S	504.90